

### PRINCETON™ RECESS BATH

Americast® brand engineered material

- Acid resistant porcelain finish
- Recess bath with integral apron and tiling flange
- Integral lumbar support
- Beveled headrest
- Full slip-resistant coverage
- End drain outlet
- Integral base

- 2390.202** Left Hand Outlet
- 2390.202TC** Same as above with Tub Cover
- 2391.202** Right Hand Outlet
- 2391.202TC** Same as above with Tub Cover

#### With Integral Overflow

- Lift and turn drain stopper assembly included with bath
- Escutcheon included and installed on bath

- 2390.202 ICH** (Chrome Trim) Left Hand Outlet
- 2390.202 ICHTC** Same as above with Tub Cover
- 2391.202 ICH** (Chrome Trim) Right Hand Outlet
- 2391.202 ICHTC** Same as above with Tub Cover

#### For Above Floor Rough Installation

- 2392.202** Left Hand Outlet for above floor installation
- 2392.202TC** Same as above with Tub Cover
- 2393.202** Right Hand Outlet for above floor installation
- 2393.202TC** Same as above with Tub Cover

#### Nominal Dimensions:

1524 x 762 x 356mm  
(60" x 30" x 14")

#### Above Floor Rough Dimensions:

1524 x 762 x 445mm  
(60" x 30" x 17-1/2")

#### Bathing Well Dimensions:

1423 x 635 x 337mm  
(56" x 25" x 13-1/4")

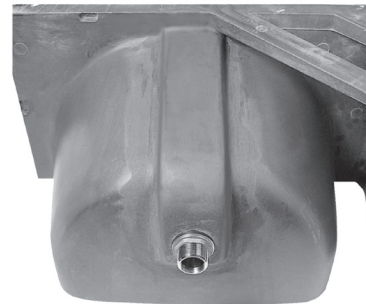
#### Compliance Certifications -

##### Meets or Exceeds the Following Specifications:

- ASME A112.19.4 for Americast Plumbing Fixtures
- ASTM F-462 for Slip-resistant Bathing Facilities
- ANSI Z124.1 Ignition Test
- ASTM E162 for Flammability
- NFPA 258 for Smoke Density



With Integral Overflow



Photograph details integral overflow and drain assembly. Drain assembly included with bath.

#### To Be Specified:

- Color:
- Bath Filler: (specify finish)
- Bath Drain: (included)

#### To Be Specified - Optional:

- Pressure Test Kit†: 791363-0070A for integral overflow models only

\*See faucet section for additional models available

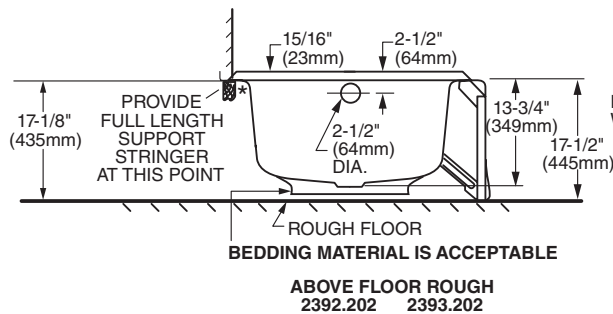
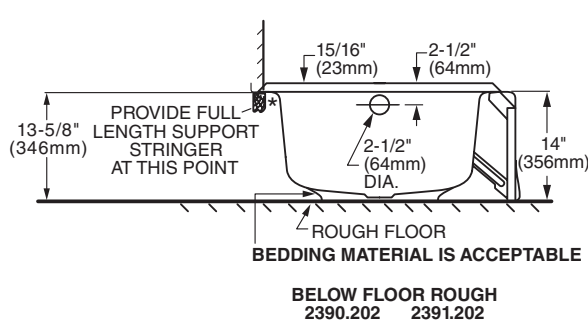
† When system pressure test is required, the pressure test kit is necessary to seal overflow and perform test.

Americast® brand engineered material is a composition of porcelain bonded to enameling grade metal, bonded to a patented structural composite.

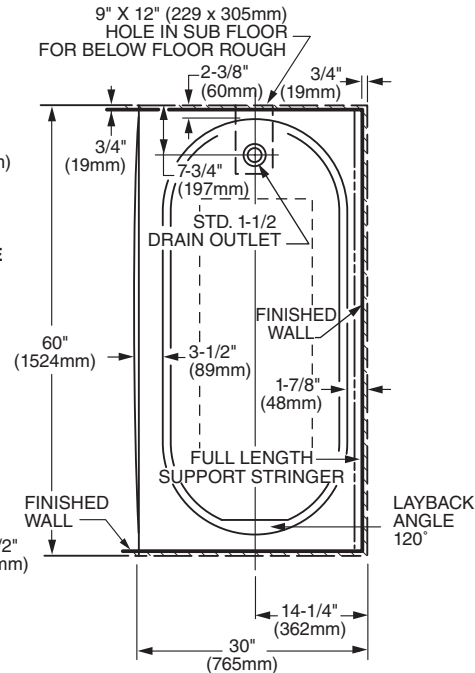


MEETS THE AMERICANS WITH DISABILITIES ACT GUIDELINES AND ANSI A117.1 REQUIREMENTS FOR ACCESSIBLE AND USEABLE BUILDING FACILITIES-CHECK LOCAL CODES. INSTALL WITH SEAT AT HEAD END.

SEE REVERSE FOR PRODUCT DIMENSIONS AND SPECIFICATIONS



\*PLUMBER NOTE: PROVIDE FULL LENGTH SUPPORT STRINGER AT THIS POINT



LEFT HAND TUB ILLUSTRATED  
RIGHT HAND TUB IS REVERSED

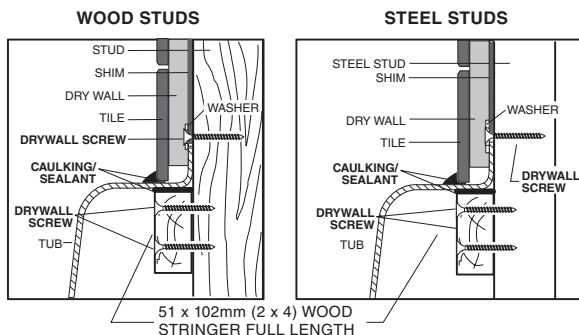
### GENERAL SPECIFICATIONS FOR 2390/2391 BATHING POOL

INSTALLED SIZE	60 x 30 x 14 In. (1524 x 762 x 356mm)
WEIGHT	110 Lbs. (50 Kg.)
WEIGHT w/WATER	460 Lbs. (209 Kg.)
GAL. TO OVERFLOW	42 Gal. (159 L)
BATHING WELL AT SUMP	42 x 19 In. (1067 x 483mm)
BATHING WELL AT RIM	56 x 25 In. (1423 x 635mm)
WATER DEPTH TO OVERFLOW	9-1/2 In. (241mm)
FLOOR LOADING (PROJECTED AREA)	37 Lbs./Sq.Ft. (175 Kgs./Sq.m)
PTS.	6.2
CUBE (FT <sup>3</sup> )	18.1

### GENERAL SPECIFICATIONS FOR 2392/2393 BATHING POOL

INSTALLED SIZE	60 x 30 x 17-1/2 In. (1524 x 762 x 445mm)
WEIGHT	119 Lbs. (54 Kg.)
WEIGHT w/WATER	469 Lbs. (213 Kg.)
GAL. TO OVERFLOW	42 Gal. (159 L)
BATHING WELL AT SUMP	42 x 19 In. (1067 x 483mm)
BATHING WELL AT RIM	56 x 25 In. (1423 x 635mm)
WATER DEPTH TO OVERFLOW	9-1/2 In. (241mm)
FLOOR LOADING (PROJECTED AREA)	38 Lbs./Sq.Ft. (182 Kgs./Sq.m)
PTS.	7.4
CUBE (FT <sup>3</sup> )	21.2

Below is shown typical cross sections of the tub rim showing typical wall constructions.



### NOTES:

LEFT HAND OUTLET SHOWN, RIGHT HAND REVERSE DIMENSIONS. (2391.202.1CH).

DRAIN AND OVERFLOW ESCUTCHEON INCLUDED WITH BATH. REFER TO INSTALLATION INSTRUCTIONS SUPPLIED WITH BATH FOR DRAIN INSTALLATION.

BATH FAUCET NOT INCLUDED AND MUST BE ORDERED SEPARATELY.

REFER TO INSTALLATION INSTRUCTIONS SUPPLIED WITH FITTING.

CONCEALED PIPING NOT FURNISHED.

PROVIDE SUITABLE REINFORCEMENT FOR ALL WALL SUPPORTS.

■ REFER TO INSTALLATION INSTRUCTIONS SUPPLIED WITH BATH.

**IMPORTANT:** Dimensions of fixtures are nominal and may vary within the range of tolerances established by ANSI Standard A112.19.4 These measurements are subject to change or cancellation. No responsibility is assumed for use of superseded or voided leaflet.